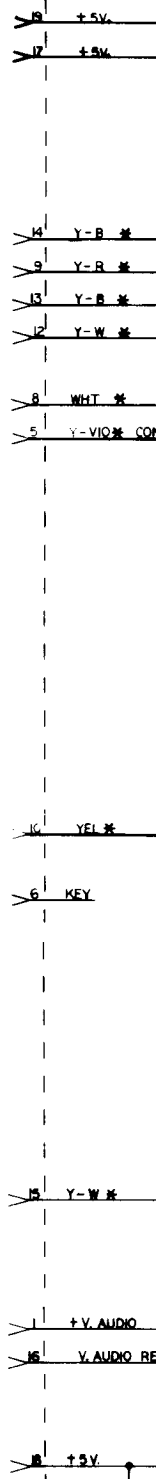


POWER SUPPLY BD.  
# A084-90414-C336

12 POS

20 POS



SCHEMATIC # MOS1-00557-A003

REVISIONS

REVISIONS	DATE	NAME
FIRST FINISHED	11-4-8	J. K. SINGH

NOTES: 1. \* = TRANS  
2. Δ = TRANS BODY INSUL.

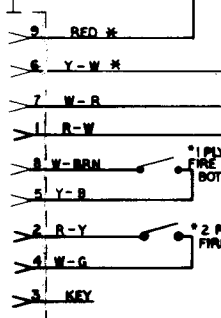
BOSCONIAN C.T.

J-2 USED FOR SINGLE FIRE  
9 POS

RAPID FIRE BD.  
PC # A084-91410-A000

9 POS

J-1 USED FOR RAPID FIRE



POWER SUPPLY BD.  
PC# 1-C395

20 POS

9 POS

BD. A000

USED FOR VIDEO FIRE

MONITOR JACKS



CPU BD.  
PC# A084-91404-B508

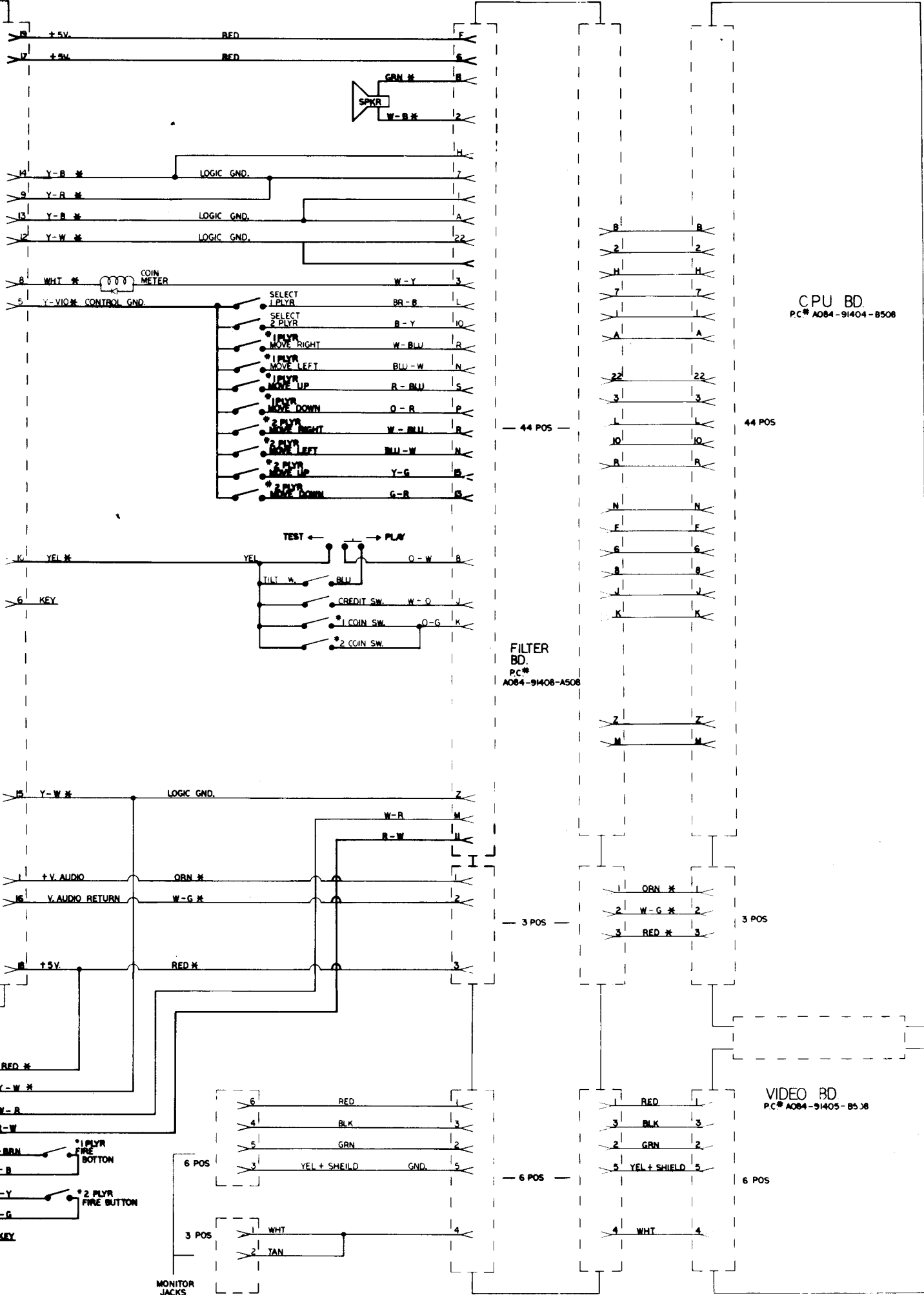
44 POS

FILTER BD.  
PC# A084-91408-A508

3 POS

VIDEO BD.  
PC# A084-91405-B538

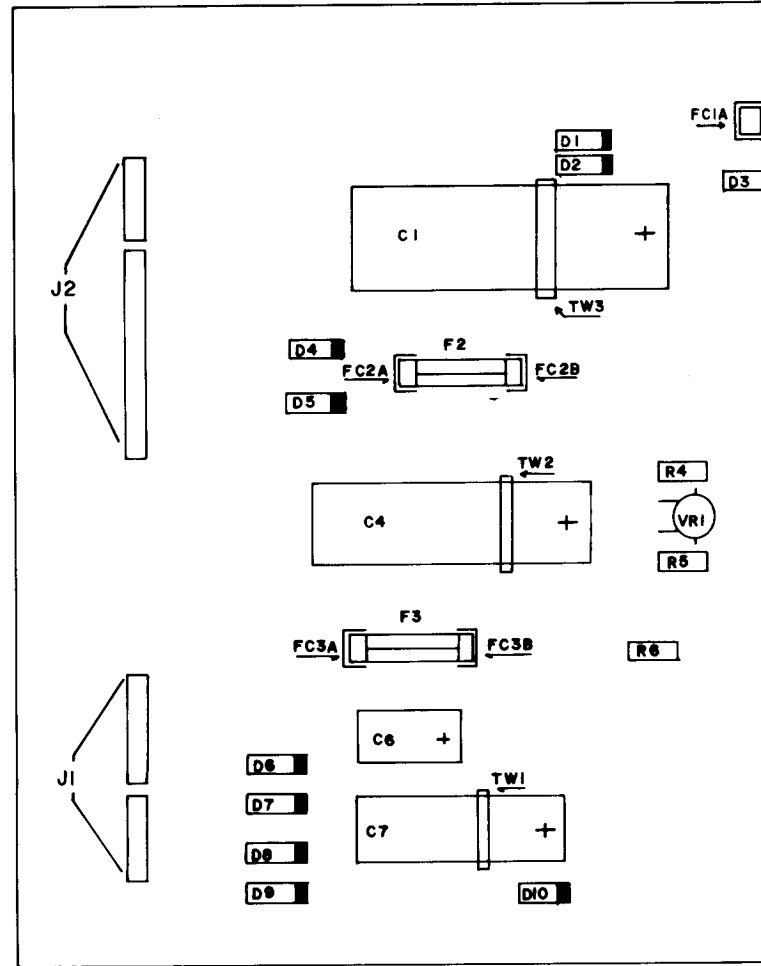
6 POS

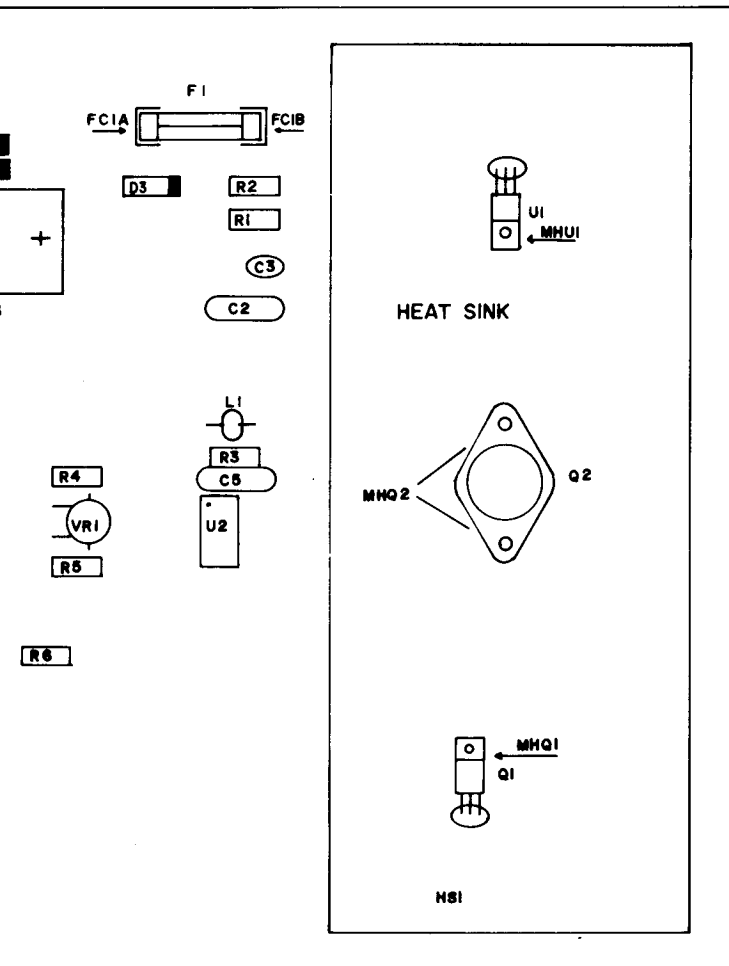


DESIGNATION

DESCRIPTION

C1	10000 MF 35V AX. ELEC.
C2	.01MF 50V AX. CER.
C3	1MF 25V TANT.
C4	200000MF 16V AX. ELEC.
C5	100PF 50V AX. CER.
C6	470 MF 16V AX. ELEC.
C7	4700 MF 25V " "
R1	470 OHM 1/4W 5% CRBN
R2	100 " " " "
R3	2.7K " " " "
R4	560 " " " "
R5	510 " " " "
R6	10 " " " "
VR1	100 OHM 1/4W CRBN. FLM.
D1, D2	A14F
D3	IN4004
D4, D5	MR750
D6-D9	A15F
D10	A14F
Q1	TIP31
Q2	2N3055
U1	LM317
U2	3652
L1	FERROXCUBE BEAD
HS1	HEAT SINK
F1	FUSE 2A
F2	" 6A
F3	" 6A
FC1A, FC1B, FC2A	FUSECLIP W/ STOP
FC2B, FC3A, FC3B	" "
J1	CONN. KK.156 (RA)(5-PIN)(6-PIN)
J2	" " (RA)(5-PIN)(13-PIN)
MHQ1	MOUNTING HARDWARE Q1 (1) SCREW 4-40X10 SLT RND (1) WSH.4 120-250-018 (1) HEXNUT 4-40 (1) SHOULDER WSH. 974-302 THERMAL COMPOUND AS REQ. (1) TO-220 INSULATOR RT-3.5 MICA
MHQ2	MOUNTING HARDWARE Q2 (2) SCREW 4-40X10 SLT RND (2) WSH.4 120-250-018 (2) HEXNUT 4-40 (2) SHOULDER WSH. 974-302 THERMAL COMPOUND AS REQ. (1) TO-3 RT-1.5 FILM
MHU1	MOUNTING HARDWARE U1 (1) SCREW 4-40X10 SLT RND (1) WSH.4 120-.250-018 (1) HEXNUT 4-40 (1) SHOULDER WSH. 974-302 THERMAL COMPOUND AS REQ. (1) TO-220 INSULATOR RT-3.5 MICA
TW1-TW3	TIE WRAPS





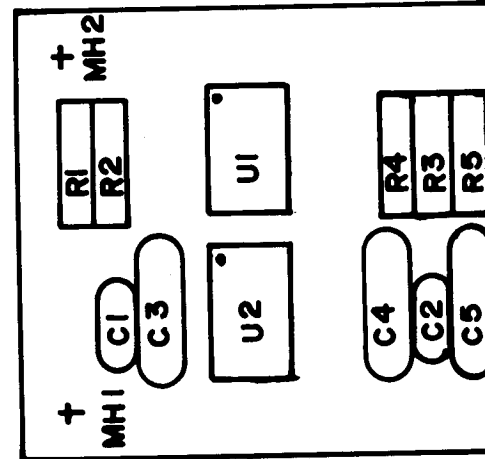
DESCRIPTION	QTY	DESIGNATION	PART NUMBER
100 PF 50v AX.CER.	1	C5	0508-00800-2100
.01MF " " "	1	C2	0171-097H2-JXXX
1MF 25v TANT.	1	C3	0935-00814-0100
470MF " AX.ELEC.	1	C6	0175-271EX-EXXX
4700MF " " "	1	C7	0508-00800-2200
10000MF 35v AX.ELEC.	1	C1	0175-322GX-EXBX
20000 16v MF " "	1	C4	0935-00814-0800
10 OHM 1/4w 5% CBN	1	R6	0062-051B3-1XXX
100 " " " "	1	R2	0062-110B3-1XXX
470 " " " "	1	R1	0062-156B3-1XXX
510 " " " "	1	R5	0062-159B3-1XXX
560 " " " "	1	R4	0062-162B3-1XXX
2.7K " " " "	1	R3	0062-199B3-1XXX
100 " " CBN FLM	1	VR1	0063-025AX-1DEX
1N4004	1	D3	0508-00801-0200
A14F	3	D1,D2,D10	0064-168XX-XXGX
A15F	4	D6-D9	0064-169XX-XXGX
MR750	2	D4,D5	0064-303XX-XXJX
TIP31	1	Q1	0065-485XX-XXXX
2N3055	1	Q2	0935-00800-0000
3532	1	U2	0066-044BX-XXXX
LM317	1	U1	0935-00804-3600
FERROXCUBE BEAD	1	L1	0017-00009-0225
HEAT SINK	1	HS1	0068-045XX-ABDX
FUSE 2A	1	F1	0017-00003-0005
FUSE 6A	1	F3	0017-00003-0008
FUSE 8A	1	F2	0017-00003-0184
FUSECLIP	6	FC1A,FC1B,FC2A, FC2B,FC3A,FC3B	0017-00003-0214
KK 156 (RA) (5)	2	J1,J2	3000-16387-0500
KK 156 (RA) (6)	1	J1	3000-16387-0600
KK 156 (RA) (13)	1	J2	3000-16387-1300
SCREW 4-40x10	4	MHU1,MHQ1,MHQ2	0017-00101-0727
WSH 4 120-.250-018	4	" " "	0017-00104-0071
HEXNUT 4-40	4	" " "	0017-00103-0002
SHOULDER WSH	4	" " "	0017-00042-0109
THERMAL COMPOUND	AS REQ.	" " "	0017-00009-0204
TO-220 INSULATOR	2	MHU1,MHQ1	0017-00003-0205
TO-3 INSULATOR	1	MHQ2	0017-00042-0108
TIE WRAPS	3	TW1-TW3	0017-00042-0105
PCB	1		A080-90414-C935

THIS DWG IS CONFIDENTIAL & PROPERTY OF MIDWAY MFG CO

DIM TOLERANCES UNLESS OTHERWISE SPEC CONCENTRICITY T I R .002 FRACTIONAL ± 1/64 DECIMAL ± .005 HOLE DIA + .002 - .000 ANGLE ± 1/2° DO NOT SCALE DWG	FIRST USE/UN: RALLY-X DATE: 2/9/82 BY: ANM	<b>MIDWAY MFG. CO.</b> FRANKLIN PK., IL 60151 A SALLY CO	REVISIONS PART NO: M051-00985-C028
	ASSEMBLY DRWNG PWR. SUPP. A084-90414-C935		

## DESIGNATION LIST

<u>DESIGNATION</u>	<u>DESCRIPTION</u>
C1, C2	.1MF 100V MYLAR
C3-C7	.01MF 25V AX CER
R1-R4	1MEG OHM 1/4w 5% CRBN RES
R5	1K " " " " "
R6	68 " " " " "
R7	1K " " " " "
R8	68 " " " " "
U1	LM556
U2	7400
J1, J2	KK.156 VERT 2(6-PIN) 2(2-PIN)
MH1-MH4	SNAP BUSHING 1/4"

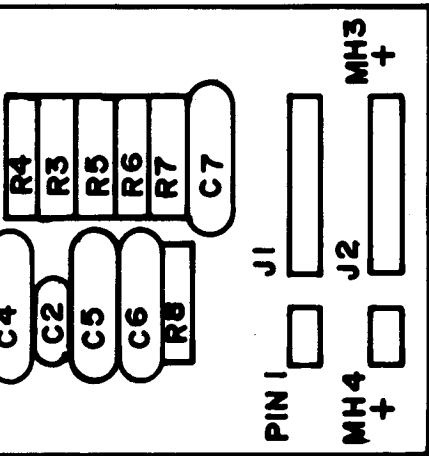


**PROJECT ENG: JERRY SZERSZ**

DIM. TOLERANCES	
UNLESS OTHERWISE SPEC	
CONCENTRICITY T I R	002
FRACTIONAL	± 1/64
DECIMAL	± 005
HOLE DIA	+ 002 -- 000
ANGLE	± 1/2°
DO NOT SCALE DWG	

DATE	GA
BY	MM
MECH	MM
ELEC	JS

## CROSS REFERENCE LIST



<u>DESCRIPTION</u>	<u>QUANTITY</u>	<u>DESIGNATION</u>	<u>PART #</u>
.01MF 25VAX CER	5	C3-C7	0508-00800-0800
.1MF 100V 10% MYLAR	2	C1, C2	0508-00800-2300
68 OHM 1/4w 5% CRBN RES.	2	R6, R8	0062-098B3-1XXX
1K " " " " "	2	R5, R7	0062-179B3-1XXX
1MEG " " " " "	4	R1-R4	0062-323B3-1XXX
LM556	1	U1	0508-00803-5500
7400	1	U2	0508-00803-5600
KK.156 CON. (2-PIN)	2	J1, J2	3000-16335-0200
(6-PIN)	2	J1, J2	3000-16335-0600
MOUNTING HARDWARE			
SNAP BUSHING 1/4"	4	MH1-MH4	0017-00042-0014
RAPID FIRE P.C.	1	A080-91410-A000	A080-91410-A000

ERSZEN

THIS DRAWING IS CONFIDENTIAL & PROPERTY OF MIDWAY MFG. CO.

**GALAGA**

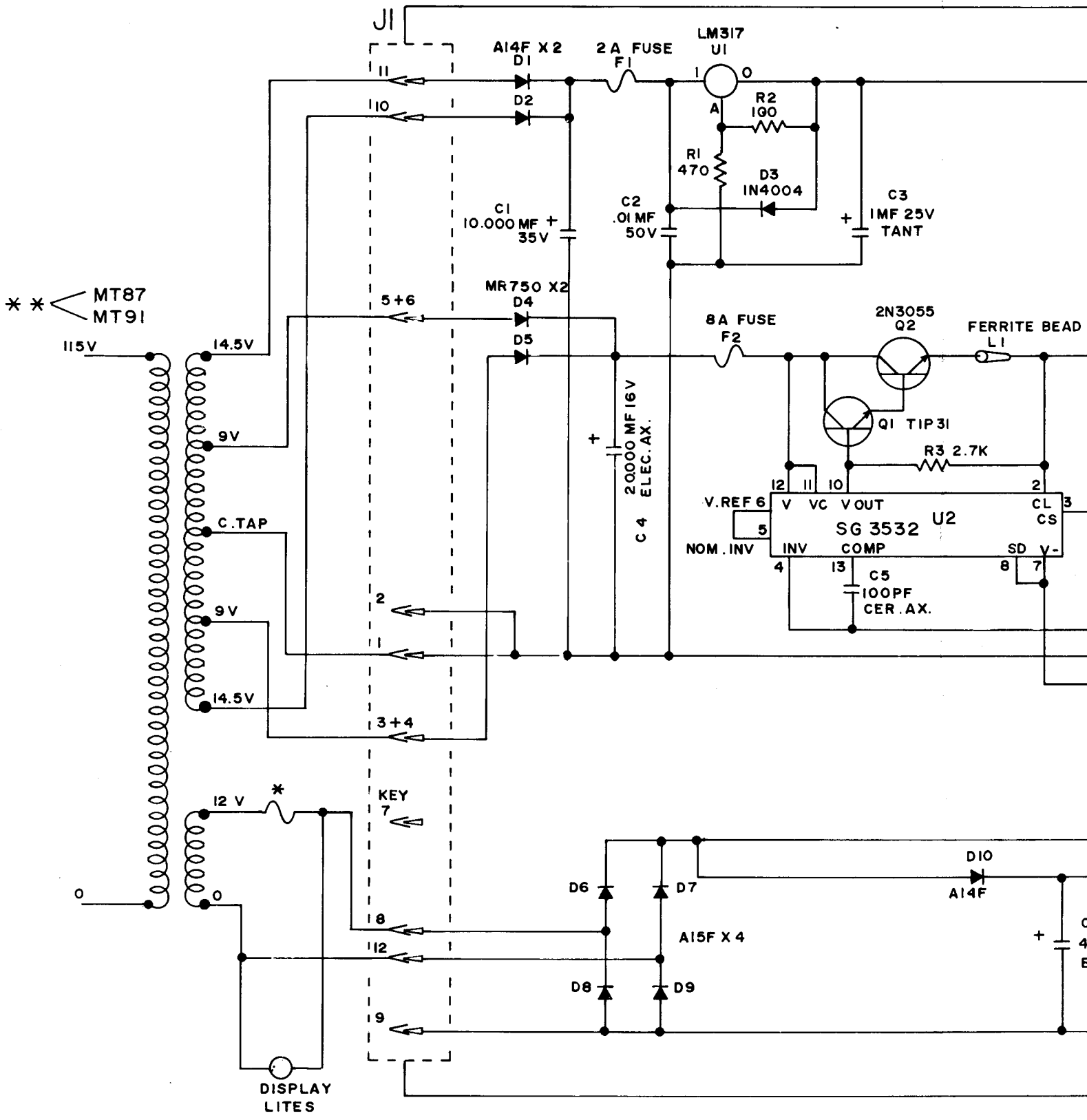
DATE: 09-30-81 SCALE: FULL

**MIDWAY MFG. CO.**  
FRANKLIN PK., IL. 60131 A BALLY CO.

**RAPID FIRE P.C.**  
ASSEMBLY DRAWING  
A082-91410-A000

REVISIONS

PART NO  
M051-00114-A001



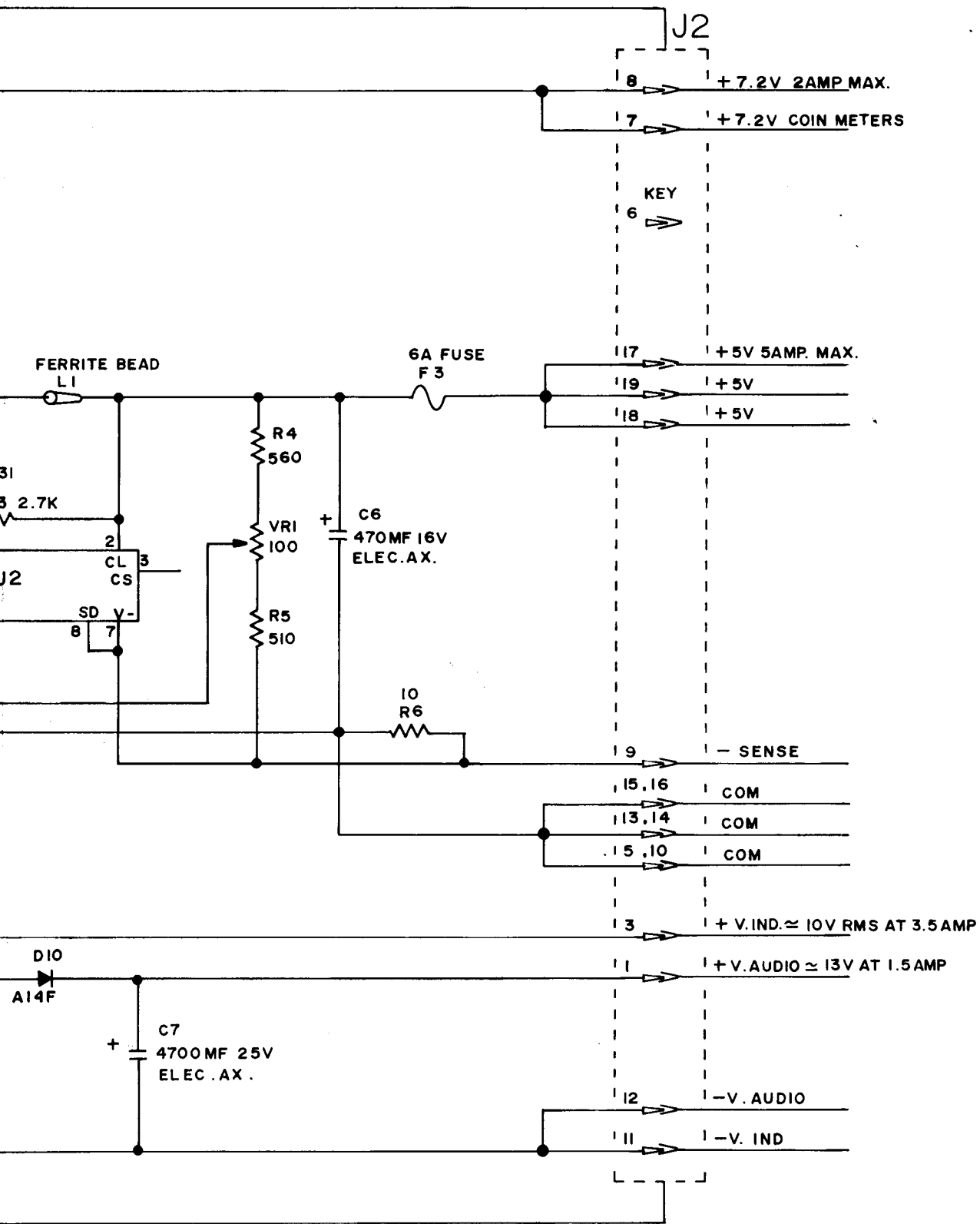
NOTES:

\* 2AMP FUSE W/O DISPLAY LITES

\*\* MT87 FOR UR.

MT91 FOR C.T.

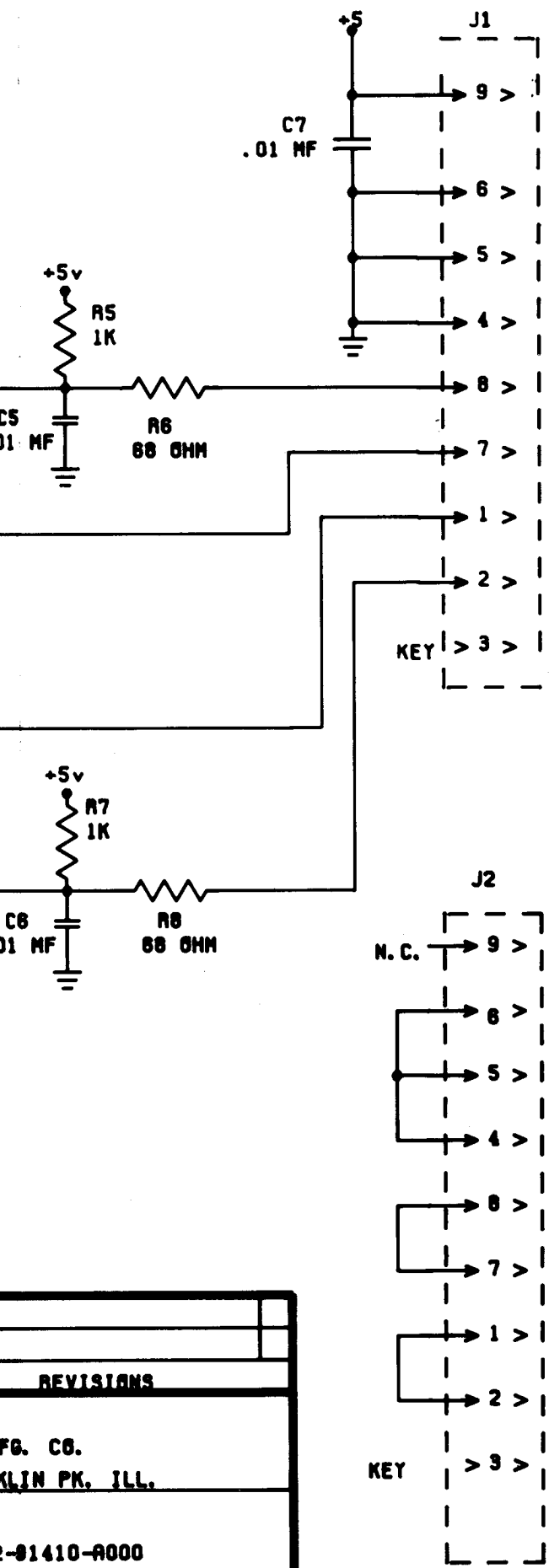
DO NOT SCALE D	
DIM. TOLERANCES UNLESS SPECIFIED	DRN /
CONCENTRICITY F1 R .003	CKD V
FRACTIONAL 1/64	DATE
DECIMAL .005	
SOLE DIA + .002 .000	



DO NOT SCALE DWG		HEAT TREAT	SCALE FULL	USED ON RALLY-X	<b>MIDWAY MFG. CO.</b> FRANKLIN PK. ILL.
DIM TOLERANCES UNLESS SPECIFIED		MAT'L	NO. REQ'D / PER	ART NO.	
DIM TOLERANCES UNLESS SPECIFIED DECIMAL 003 FRACTIONAL 1/64 ANGLES 005 HOLE DIA +002 000	DRN <i>M.M.</i> CKD DATE 2-10-82	FINISH	SCHEMATIC <b>POWER SUPPLY</b> A084-90414-C935		M051-00935-0025
				REVISIONS	







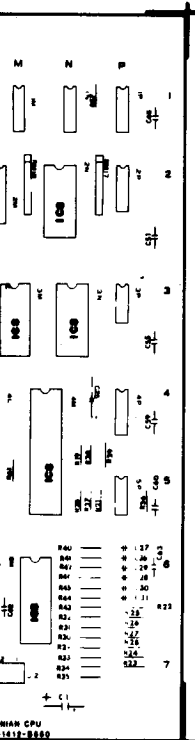
NOTE: USE J1  
FOR RAPID  
FIRE OPTION

NOTE: USE J2 TO  
BYPASS  
RAPID FIRE  
OPTION

REVISIONS	
FG. C6.	
KLIN PK. ILL.	
-01410-A000	

### CROSS REFERENCE LIST

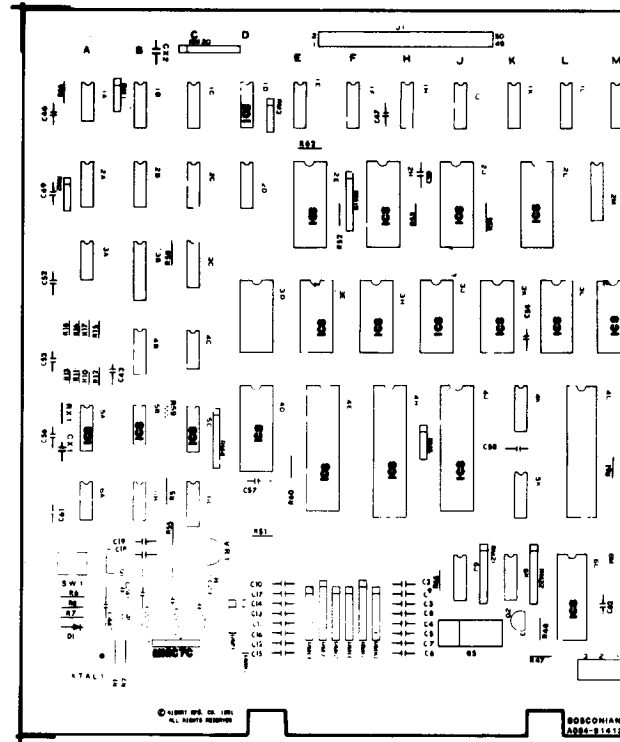
DESCRIPTION	QUAN	DESIGNATION	PART NO.	DESCRIPTION	QUAN	DESIGNATION	PART NO.
100 PF CER.	2	C46, C48	0880-00800-0900	PROM SS-1	1	IC 10	0880-00803-3100
100 MF POLY.	2	C30, C31	0880-00800-1100	" SS-2	1	" SC	0880-00803-3200
1000 MF CER.	1	C45	0880-00800-0800	EPROM SS-A	1	" SN	0880-00803-3300
10 MF "	17	C2-C17, C18	0880-00800-0700	" SS-B	1	" SM	0880-00803-3400
10 MF POLY.	4	C28-C29	0880-00800-1000	" SS-C	1	" SL	0880-00803-3500
1 MF CER.	10	C18, C46-C48	0880-00800-0800	" SS-D	1	" SK	0880-00803-3600
18 MF TANT.	2	C28, C34	0880-00800-1200	" SS-E	1	" SJ	0880-00803-3700
10 MF ELEC.	2	C29, C44	0880-00800-1700	" SS-F	1	" SN	0880-00803-3800
22 MF "	1	C20	0880-00800-1800	" SS-G	1	" SE	0880-00803-3900
100 MF "	1	C22	0880-00800-1900	STATIC RAM 2K X 8	1	" SN	0880-00803-4000
250 MF "	1	C21	0880-00800-1400	Z-80A	3	" SN	0880-00803-4100
470 MF "	1	C1	0880-00800-1300			" 4E, 4J, 4M	
100 OHM 1/4w 5% CRHM	1	R5	0082-11083-1XXX	14 PIN SOCKET	1	IC5 88	0880-00804-0800
220 "	2	R1, R2	0082-14482-1XXX	18 "	3	" 1B, 8A, 8C	0880-00804-0900
470 "	3	7W6, R47, R48	0082-18683-1XXX	24 "	8	" 2K, 2L, 2M, 2N, 2P, 2Q, 2R	0880-00804-0400
1K "	13	R6, R10, R32-R34, R50-R52, R53	0082-17983-1XXX	28 "	7	" 2E, 2H, 2J, 2L, 4D, 2L, 2M	0880-00804-0300
		RX1	0082-17983-1XXX	42 "	3	" 4E, 4J, 4M	0880-00804-0500
2.2K "	2	R17, R30	0082-19583-1XXX		1	" 4H	0880-00804-0700
2.2K "	2	R20, R29	0082-20383-1XXX	18.432 MHZ CRYSTAL	1	XTAL1	0880-00804-1100
4.7K "	5	R18, R25, R29, R42, R45	0082-21183-1XXX	ANC-6 P B SWITCH	1	SW1	0880-00804-1200
10K "	11	R7, R9, R10, R18, R26, R30, R34, R37, R44, R41, R45	0082-22783-1XXX	8 POS. DIP SWITCH	2	DIPSW1, DIPSW2	0880-00804-1400
22K "	6	R11, R23, R27, R31, R41, R45	0082-24383-1XXX	CONN. R.A. HEADER, 50PIN	1	J1	0880-00804-0800
33K "	2	R21, R24	0082-25983-1XXX	CONN. PCB HEADER, 5 PIN	1	J2	0017-00801-0443
47K "	2	R42, R43	0082-26583-1XXX				
100K "	2	R46, R48, R49, R52, R55, R46	0082-27383-1XXX	MOUNTING HARDWARE			
150K "	2	R35, R42	0082-28383-1XXX	4-40X8 NUT	2	MNCTC	0017-00103-0002
220K "	1	R22	0082-29183-1XXX	4-40X8 SLT PAN N.S.	2		0017-00101-0510
470K "	1	R40	0082-30783-1XXX	WSH 4 .125-250-032 FLT. ST	2		0017-00104-0071
				WSH 4 .125-250-015 EXT. ST.	2		
220 OHM 5PIN	1	RM16	0880-00804-1800				
1K " 5PIN	5	RM1-RM5, RM6, RM9	0880-00804-1300	BOSCONIAN CPU PC.	1		A084-91412-8580
1K " 5PIN	3	RM4, RM6, RM7	0880-00804-1500				
2.2K " 5PIN	4	RM10-RM13	0880-00804-1600				
2.2K " 5PIN	4	RM17-RM20	0880-00804-1600				
4.7K " 5PIN	2	RM21, RM22	0880-00804-1700				
1K POT	1	VR1	0880-00804-1900				
100K48	1	D1	0880-00801-0100				
2N3301A	1	Q1	0880-00802-0200				
2N4403	1	Q2	0880-00802-0100				
TIP110	1	Q3	0880-00802-0300				
08XX CUSTOM IC		IC2L	0088-0080X-KAPX				
070X "	1	" 4D	0088-0080X-KAPX				
08XX "	3	" 2E, 2H, 2J	0088-0070X-KAPX				
500X "	1	" 8L	0088-0120X-KAPX				
51XX "	1	" 4H	0088-0080X-KAPX				
54XX "	1	" 8M	0088-0090X-KAPX				
74LS32	2	" 3F, 4C	0880-00803-0800				
74LS9	2	" 2A, 2B	0880-00803-0300				
7407	1	" 8B	0880-00803-0600				
74LS107	1	" 1A	0880-00803-7200				
74128	1	" 6B	0880-00803-0400				
74LS138	2	" 1P, 2P	0880-00803-0700				
74LS139	1	" 4P	0880-00803-0900				
74LS159	2	" 4B, 4C	0880-00803-0500				
74LS161	2	" 4C, 4K	0880-00803-1000				
74LS167	1	" 3C	0880-00803-1100				
74LS168	1	" 2D	0880-00803-1200				
74LS174	1	" 1C	0880-00803-1300				
74LS246	1	" 8M	0880-00803-1400				
74LS259	1	" 3C	0880-00803-1500				
74LS273	1	" 3B	0880-00803-1600				
74LS283	1	" 1B	0880-00803-1700				
74LS267	8	" 1E, 1F, 1H, 1J, 1K, 1L, 1M, 1N	0880-00803-1800				
74LS268	7	" 8A	0880-00803-1900				
74LS293	1	" 6A	0880-00803-2000				
15824	1	" 8P	0880-00803-0200				
M55730	1	" 7C	0088-1881X-K1KX				
40872888	1	" 5A	808-00803-5300				

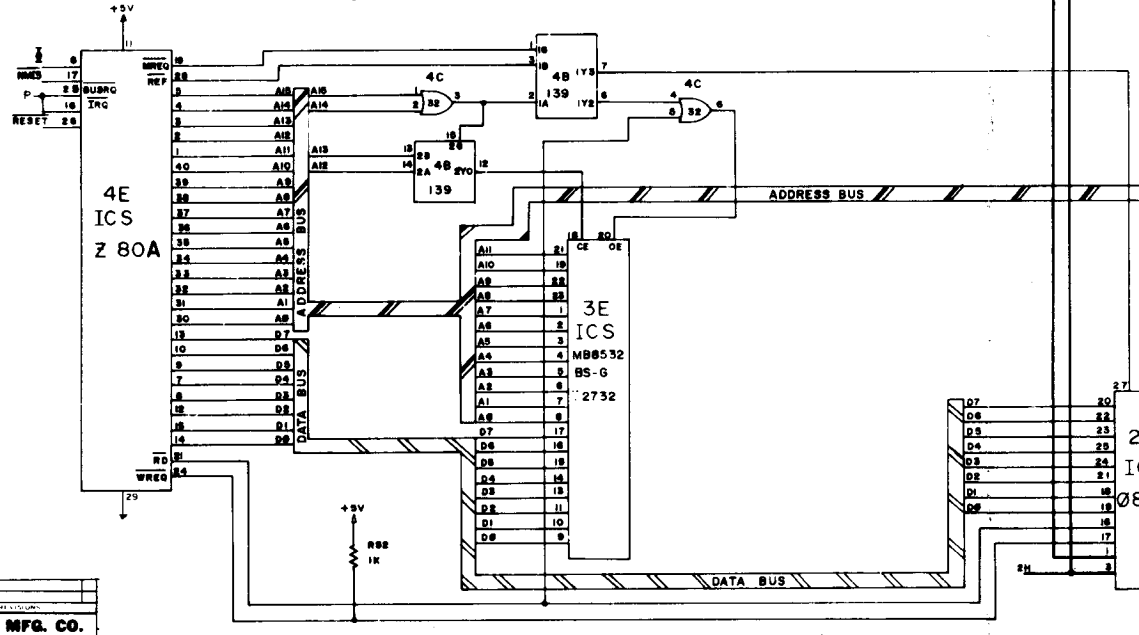
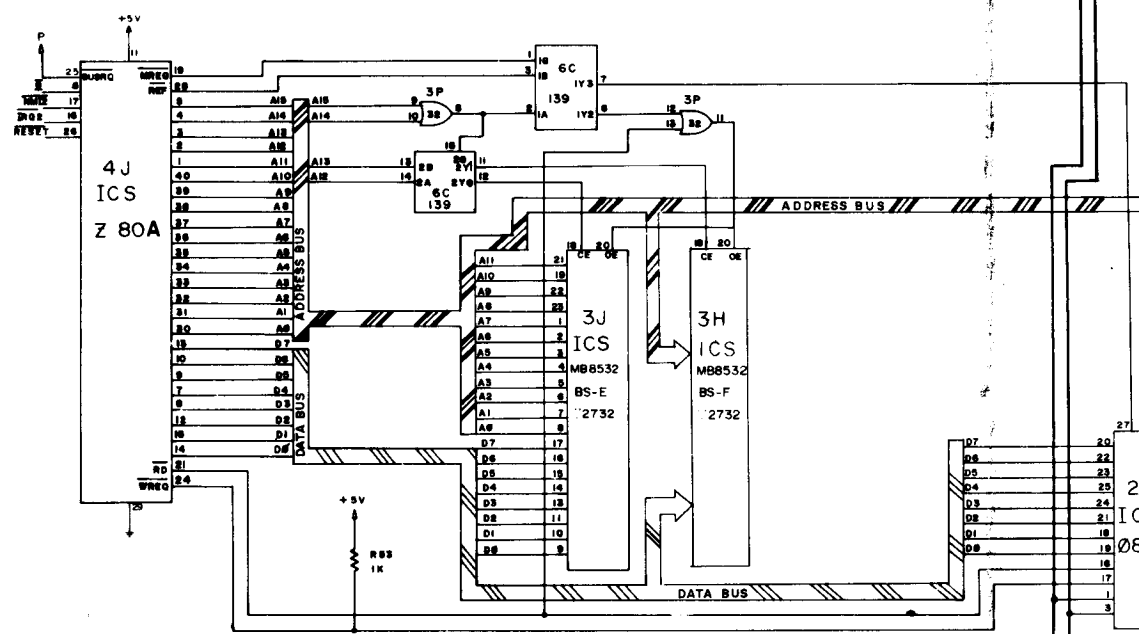
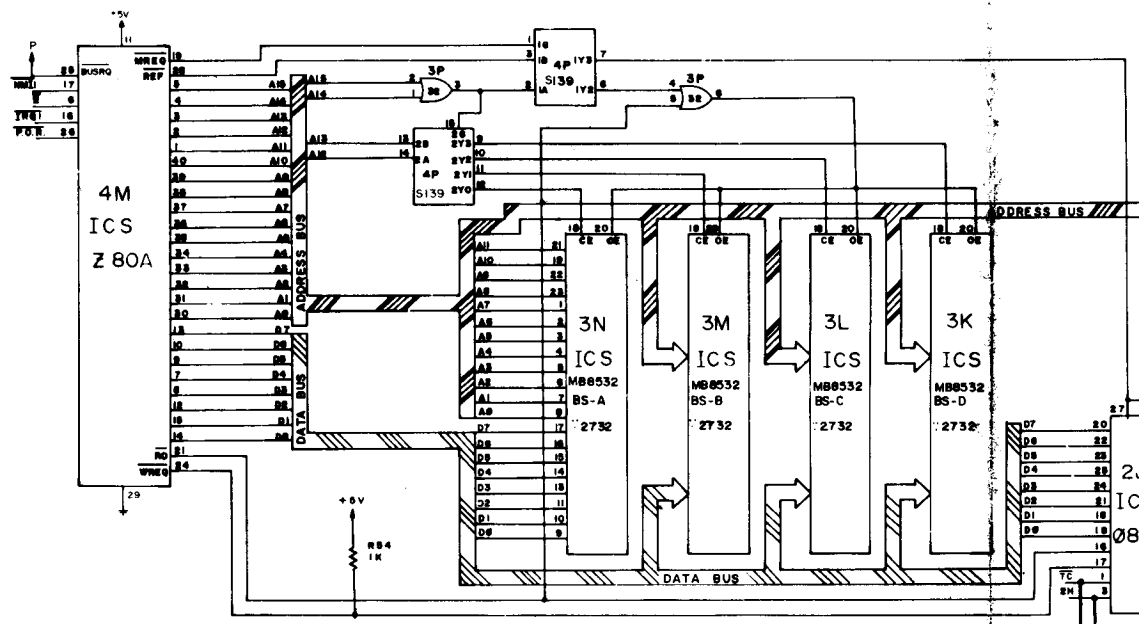
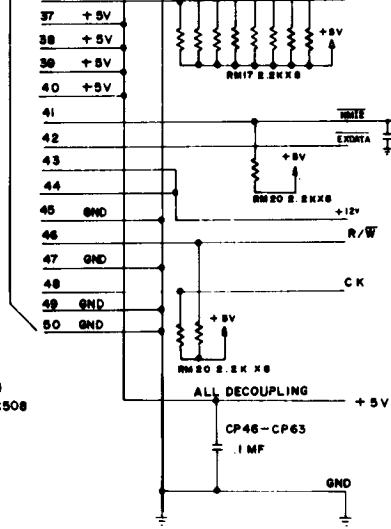
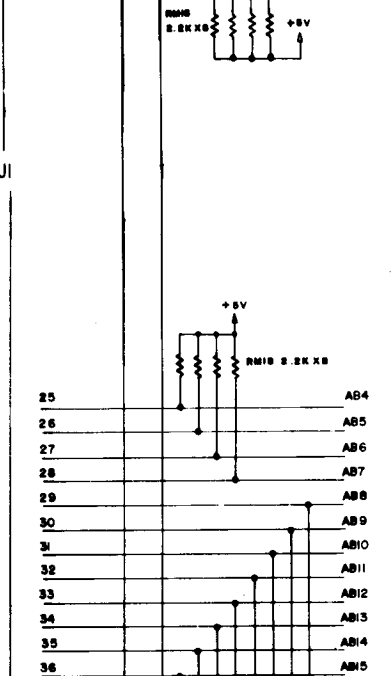
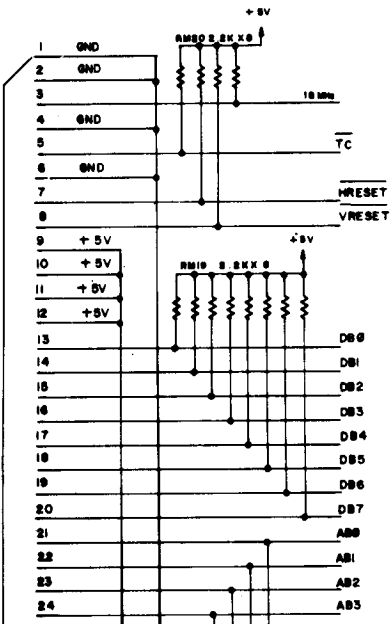


PROJECT ENG: J. SZERZEN		SCALE		NO. RECD		PER		REVISIONS	
DO NOT SCALE DIMS		FULL		NO RECD		PER		MIDWAY MFG. CO.	
DIM TOLERANCES		DATE		NO. RECD		PER		FRANKLIN P. ILL.	
UNLESS SPECIFIED		DATE		NO. RECD		PER		PARTS	
AS SHOWN		DATE		NO. RECD		PER		MOSI-00850-8010	
AS SHOWN		DATE		NO. RECD		PER		ASS'Y DRWNS.	

## DESIGNATION LIST

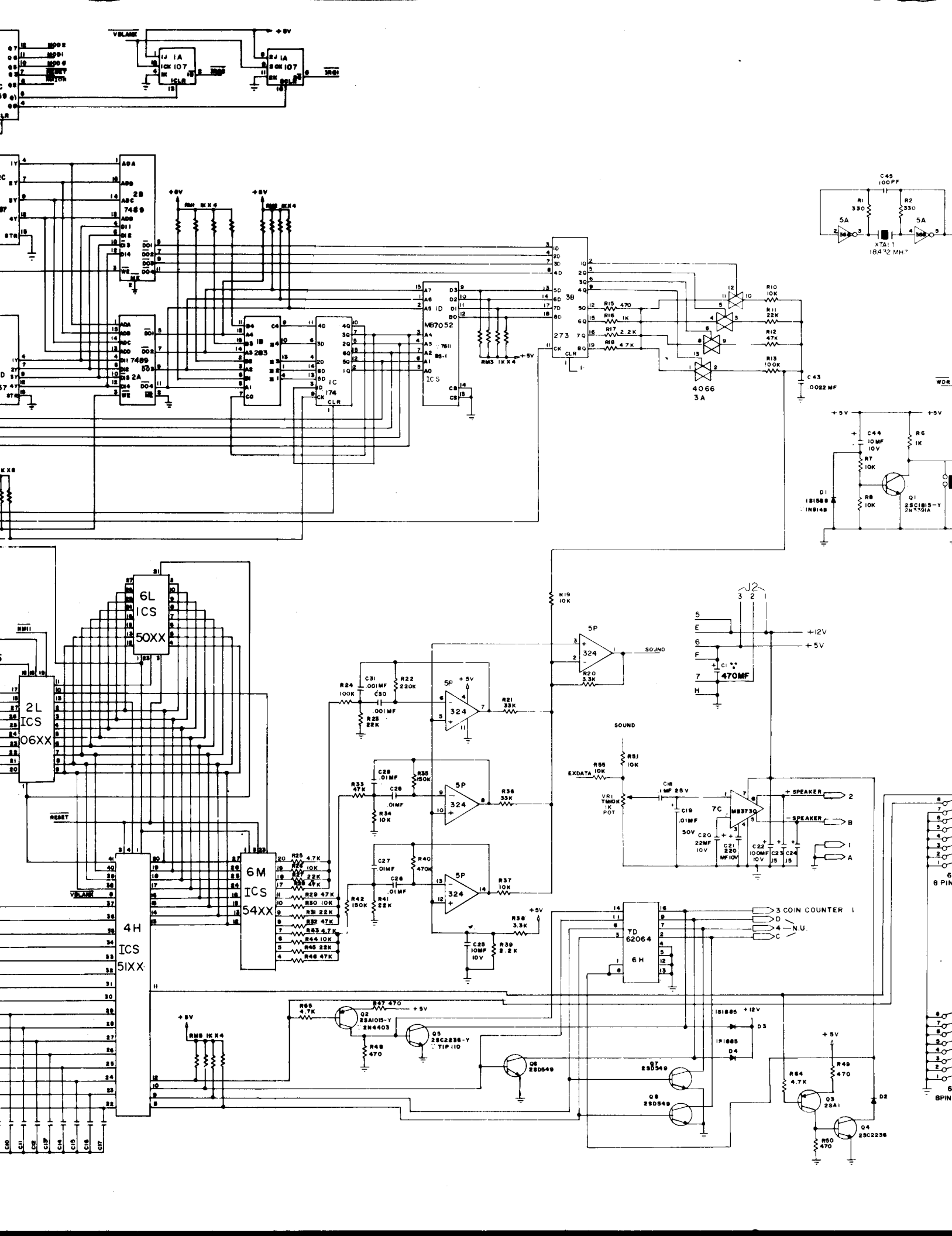
DESIGNATION	DESCRIPTION	DESIGNATION	DESCRIPTION
C1	470 MF ELEC.	D1	1N914B
C2-C17	.01 MF CER.		
C8	.1MF "	2N3291A	
C18	.01 MF "	2N4403	
C20	22 MF ELEC.	NOT USED	
C21	220 MF "	OS	TIP 110
C22	100 MF "		
C23, C24	.18 MF TANT.	IC1A	74LS107
C25	.10 MF ELEC.	"1B	74LS285
C26-C29	.01 MF POLY.	"1C	74LS174
C30, C31	.001 MF "	"1D	PROM 28-1
C32-C42	NOT USED	"1E, W, H, J, K, L, M, N	74LS267
C43	.0022 MF CER.	"1F	74LS193
C44	.10 MF ELEC.	"1A, 2B	7489
C48	100 PF CER.	"1C	74LS187
C49-C58	.1 MF "	"1D	74LS288
C51	NOT USED	"1E, 2D	04XX CUSTOM IC
C52	100 PF CER.	"1F, 2E, 2H, 2J	02XX "
		"1G	74LS245
R1, R2	330 OHM 1/4w 5% CRNH.	"1H	87ATC RAM 8K X 8
R3, R4	NOT USED	"1I	74LS125
R5	100 OHM 1/4w 5% CRNH.	"1J	4086 CMOS
R6	1K " " "	"1K	74LS275
R7, R8	10K " " "	"1L	74LS299
R9	NOT USED	"1M	NOT USED
R10	10K OHM 1/4w 5% CRNH.	"1N	EPROM 28-8
R11	22K " " "	"1O	" 28-F
R12	47K " " "	"1P	" 28-E
R13	100K " " "	"1Q	" 28-D
R14	NOT USED	"1R	" 28-C
R15	470 OHM 1/4w 5% CRNH.	"1S	" 28-B
R16	1K " " "	"1T	" 28-A
R17	2.2K " " "	"1U	
R18	4.7K " " "	"1V	74LS22
R19	10K " " "	"1W	74LS129
R20	3.3K " " "	"1X	74LS25
R21	33K " " "	"1Y	07XX CUSTOM IC
R22	220K " " "	"1Z	Z-80A
R23	22K " " "	"1AA	81XX CUSTOM IC
R24	100K " " "	"1AB	Z-80A
R25	4.7K " " "	"1AC	74LS191
R26	10K " " "	"1AD	NOT USED
R27	22K " " "	"1AE	Z-80A
R28	47K " " "	"1AF	74LS29
R29	4.7K " " "	"1AG	74LS299
R30	10K " " "	"1AH	74107
R31	22K " " "	"1AI	PROM 28-2
R32, R33	47K " " "	"1AJ	74LS21
R34	10K " " "	"1AK	LM254
R35	100K " " "	"1AL	74LS263
R36	33K " " "	"1AM	74125
R37	10K " " "	"1AN	74LS195
R38	3.3K " " "	"1AO	80XX CUSTOM IC
R39	2.2K " " "	"1AP	84XX
R40	470K " " "	"1AQ	MS2750
R41	22K " " "		
R42	10K " " "	IC5 10	16 PIN SOCKET
R43	4.7K " " "	" 2E, 2H, 2J, 2L	28 PIN
R44	10K " " "	" 2M, 2N, 2P, 2K, 2L, 2M, 2N	34 PIN
R45	22K " " "	" 2O	40 PIN
R46	47K " " "	" 2Q	40 PIN
R47, R48	470 " " "	" 2R	42 PIN
R49, R50	NOT USED	" 2S	40 PIN
R51	10K OHM 1/4w 5% CRNH.	" 2T	16 PIN
R52-R54	1K " " "	" 2U	14 PIN
R55	10K " " "	" 2V	16 PIN
R56-R58	10K " " "	" 2W	28 PIN
R59, R64	1K " " "	" 2X	
R65	NOT USED		
R66	4.7K OHM 1/4w 5% CRNH.	XTAL 1	19322 MHZ CRYSTAL
RX1	1K " " "	SW 1	ABC-8 PB SWITCH
		DIP SW 6J, 6K	8 POS. DIP SWITCH
R61-R63	1K OHM 5 PIN SIP.	J1	CONN. R.A. HEADER 80 PIN
R64	1K " 5 PIN "	J2	CONN. R.C.B. HEADER 3 PIN
R65	1K " 5 PIN "		
R66, R67	1K " 5 PIN "	MR97C	MOUNTING HARDWARE
R68	NOT USED		
R69	1K OHM 5 PIN SIP.		
R70-R72	2.2K " 5 PIN "		
R73, R74	NOT USED		
R75	220 OHM 5 PIN SIP.	P.C.B.	BOBSONIAN CPU BO.
R76-R78	2.2K " 5 PIN "		
R79, R82	4.7K " " "		
VR1	1K POT		





DESIGNED ON 404-C508









# DESIGNATION LIST

DESIGNATION	DESCRIPTION	DESIGNATION	DESCRIPTION
C 1	470 MF ELEC.	IC 5F, 5H	74LS174
C 4	.022 MF POLY.	" 5K	NOT USED
C 5, C6	.0047 MF "	" 5L	EPROM BS-L
C 7	.001 MF 100V 10% POLY	" 5M	" BS-K
C 8, C9	.001 MF 50V 10% CER.	" 5N	" BS-J
C10-C45	.1 MF CER.	" 5R	52XX CUSTOM IC
C46	220 PF MICA	" 6B	PROM BS-6
C47	.001 MF 50V 10% CER.	" 6C, 6D	74LS194
C48	100 PF CER.	" 6E	74LS86
		" 6F, 6H	74LS157
R 1	220 OHM 1/4w 5% CRBN.	" 6J	74LS86
R 2	470 " " " "	" 6K	74LS175
R 3	220 " " " "	" 6L	74LS08
R 4	470 " " " "	" 7C	74LS157
R 5	1K " " " "	" 7D	74LS174
R 6	220 " " " "	" 7E	74LS00
R 7	470 " " " "	" 7F	74LS08
R 8	1K " " " "	" 7H	PROM BS-7
R11	10K " " " "	" 7J	74LS175
R12	22K " " " "		
R13	47K " " " "	ICS 1E	24 PIN SOCKET
R14, R15	100K " " " "	" 1H	" " "
R16	22K " " " "	" 1M	28 PIN "
R17	33K " " " "	" 1N	" " "
R18	47K " " " "	" 1R	" " "
R19	1K " " " "	" 2D	16 PIN "
R20	100 " " " "	" 2R	" " "
R21-R31	1K " " " "	" 4K	18 PIN "
R32	330 " " " "	" 4M	16 PIN "
		" 4N	18 PIN "
RM1-RM4	2.2 K OHM 9 PIN SIP.	" 5A	20 PIN "
RM5, RM6	1K " " " "	" 5B	24 PIN "
RM7	470 " " " "	" 5D	" " "
RM8-RM10	1K " " " "	" 5E	" " "
RM11	1K " 5 PIN "	" 5L	" " "
		" 5M	" " "
		" 5N	" " "
Q1, Q2	2N3391A	" 5R	42 PIN "
		" 6B	16 PIN "
		" 7H	" " "
IC 1B	74LS259		
" 1C	74LS138	PCMHI-PCMHA	DUALLOCKING SPACERS
" 1D	74LS377		
" 1E, 1H	PHAN. RAM 2K X 8	J1	50 PIN RT. ANGLE
" 1J, 1K	74LS374	J2	6 PIN MNL CONN.
" 1M	06XX CUSTOM IC	CABLE ASSY	AS BELOW
" 1N	50XX " "	PI, P2	PLUG-SOCKET CONNECTOR 50-PIN
" 1R	07XX " "	CABLE	RIBBON CABLE-.33FT 50-CONNECTOR
** 2B	RAM KIT B OPTION 1		28 GA. STRND. RND. CONDUCTOR
" 2C	74LS163	A090-91413-B550	BOSCONIAN P. C. B.
" 2D	PROM BS-3		
" 2E	7489		
" 2F, 2H	74LS245		
" 2J, 2K, 2L, 2M	74LS263		
" 2N	74LS244		
" 2P	74LS257		
" 2R	PROM BS-4		
** 3A, 3B	RAM KIT B OPTION2		
" 3C, 3D, 3E, 3F	74LS163		
" 3H	74LS263		
" 3J	74LS20		
" 3K	74LS263		
" 3L, 3M	74LS06		
" 3N	74LS20		
" 3P	74LS06		
" 3R	74LS138		
" 4A	74LS174		
" 4B	74LS365		
" 4C	74LS273		
* 4D, 4E, 4F, 4H	RAM KIT A OPTION 2		
* 4J	" " " " 1		
" 4K	03XX CUSTOM IC		
" 4L	74LS377		
" 4M	PROM BS-5		
" 4N	03XX CUSTOM IC		
" 4P	74LS368		
" 5A	PHAN. PAL BS-8		
" 5B	05XX CUSTOM IC		
" 5D	EPROM BS-P		
" 5E	" BS-N		

DESCRIPTION

74LS174  
 NOT USED  
 EPROM BS-L  
 " BS-K  
 " BS-J  
 52XX CUSTOM IC  
 PROM BS-6  
 74LS194  
 74LS86  
 74LS157  
 74LS86  
 74LS175  
 74LS08  
 74LS157  
 74LS174  
 74LS00  
 74LS08  
 PROM BS-7  
 74LS175

24 PIN SOCKET

" " "  
 " " "  
 " " "  
 " " "  
 16 PIN "  
 " " "  
 16 PIN "  
 16 PIN "  
 18 PIN "  
 20 PIN "  
 24 PIN "  
 " " "  
 " " "  
 " " "  
 " " "  
 42 PIN "  
 16 PIN "  
 " " "

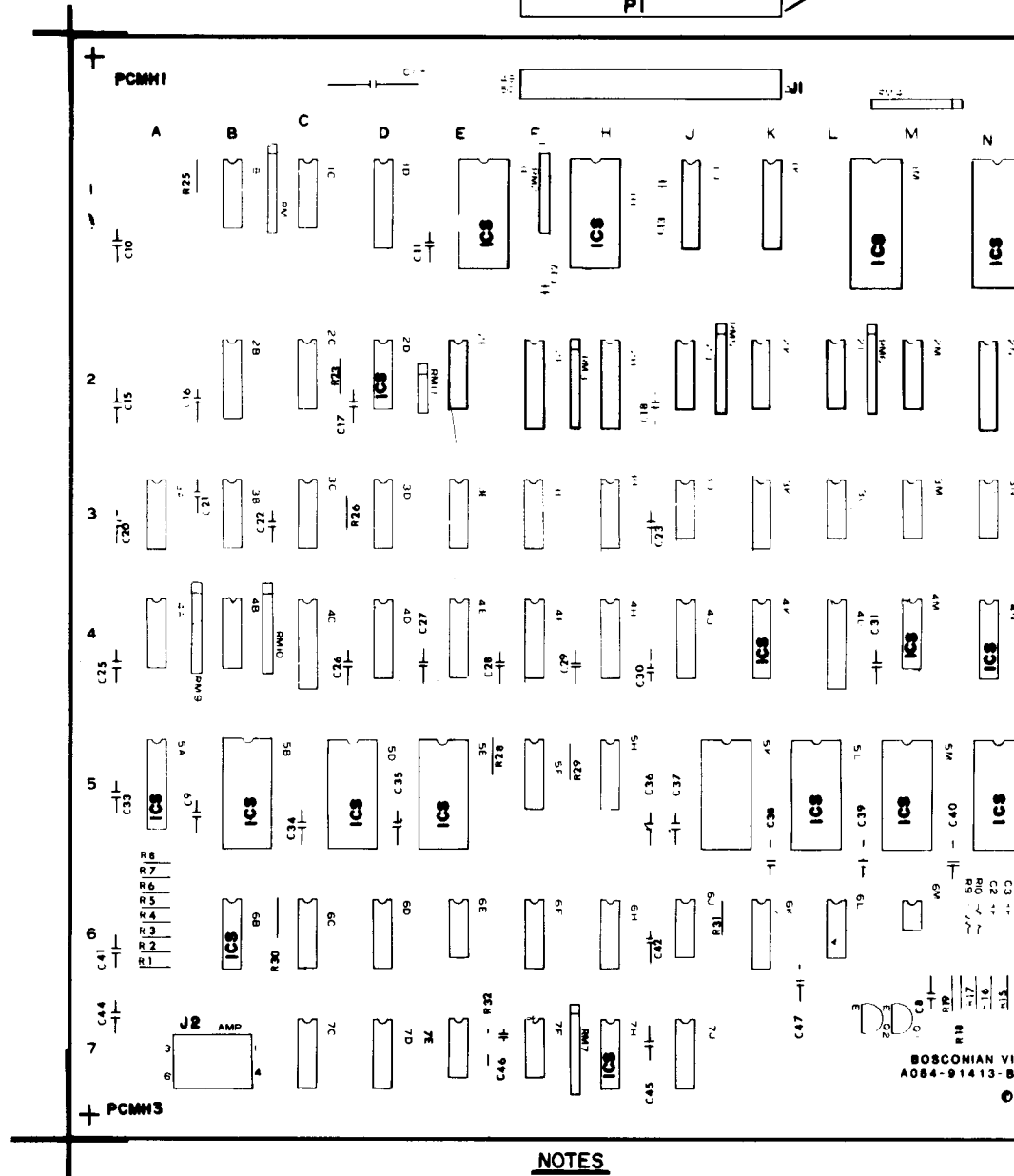
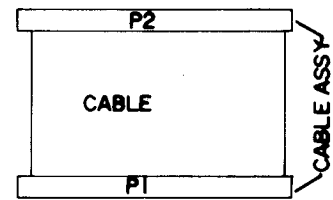
DUALLOCKING SPACERS

50 PIN RT. ANGLE  
 6 PIN MNL. CONN.

AS BELOW

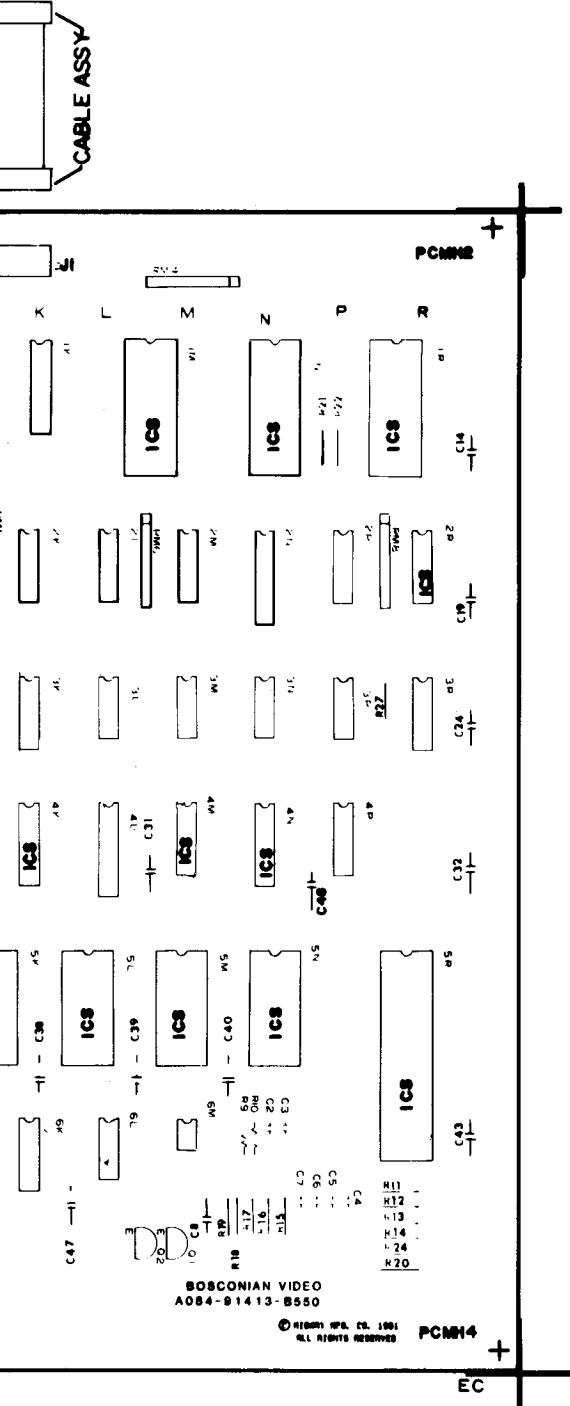
PLUG-SOCKET CONNECTOR 50-PIN  
 RIBBON CABLE-.33FT 50-CONNECTOR  
 28 GA. STRND. RND. CONDUCTOR

BOSCONIAN P.C.B.



NOTES

- \* NOTE: RAM KIT A WILL UTILIZE EITHER OF THE FOLLOWING OPTIONS BUT NOT BOTH;  
 OPTION1-(1) 2148 LOC. 4J  
 OR  
 OPTION2-(4) 2147 LOC. 4D,4E,4F,4H
- \*\* NOTE: RAM KIT B WILL UTILIZE EITHER OF THE FOLLOWING OPTIONS BUT NOT BOTH;  
 OPTION1-(1) 2148 LOC. 2B  
 OR  
 OPTION2-(2) HM25II LOC. 3A,3B



DESCRIPTION	QUAN.	DESIGNATION
100 PF CER.	1	C48
220 PF MICA.	1	C46
.001 MF 100V 10% POLY.	1	C7
.001 MF 50V 10% CER.	3	C8,C9,C47
.0047 MF POLY.	2	C5,C6
.022 MF "	1	C4
.1 MF CER.	36	C10-C45
470 MF ELEC.	1	C1
100 OHM 1/4w 5% CRBN	1	R20
220 " " " "	3	R1,R3,R6
330 " " " "	1	R32
470 " " " "	3	R2,R4,R7
1K " " " "	14	R5,R8,R19,R21-R31
10K " " " "	1	R11
22K " " " "	2	R12,R16
33K " " " "	1	R17
47K " " " "	2	R13,R18
100K " " " "	2	R14,R15
470 OHM 9 PIN SIP.	1	RM7
1K " " " "	5	RM5,RM6,RM8-RM10
1K " 5PIN "	1	RM11
2.2K " 9PIN "	4	RM1-RM4
2N3391A	2	Q1,Q2
03XX CUSTOM IC	2	IC 4K,4N
05XX " " "	1	" 5B
06XX " " "	1	" 1M
07XX " " "	1	" 1R
08XX " " "	1	" 1N
52XX " " "	1	" 5R
74LS00	1	IC 7E
74LS08	2	" 6L,7F
74LS20	2	" 3J,3N
74LS86	5	" 3L,3M,3P,6E,6J
7489	1	" 2E
74LS138	2	" 1C,3R
74LS157	3	" 6F,6H,7C
74LS163	5	" 2C,3C,3D,3E,3F
74LS174	4	" 4A,5F,5H,7D
74LS175	2	" 6K,7J
74LS194	2	" 6C,8D
74LS244	1	" 2N
74LS245	2	" 2F,2H
74LS257	1	" 2P
74LS259	1	" 1B
74LS273	1	" 4C
74LS283	6	" 2J,2K,2L,2M,3H,3K
74LS365	1	" 4B
74LS368	1	" 4P
74LS374	2	" 1J, 1K
74LS377	2	" 1D, 4L
PROM BS-3	1	IC 2D
" BS-4	1	" 2R
" BS-5	1	" 4M
" BS-6	1	" 6B
" BS-7	1	" 7H
PHAN. PAL BS-8	1	" 5A
EPROM BS-J	1	" 5N
" BS-K	1	" 5M
" BS-L	1	" 5L
" BS-N	1	" 5E
" BS-P	1	" 5D
PHAN RAM 2K X8	2	" 1E, 1H

# CROSS REFERENCE LIST

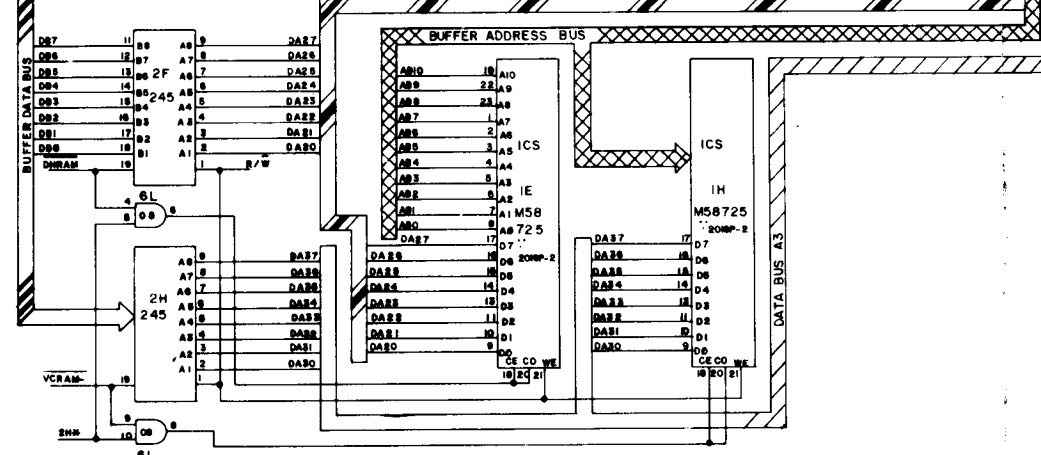
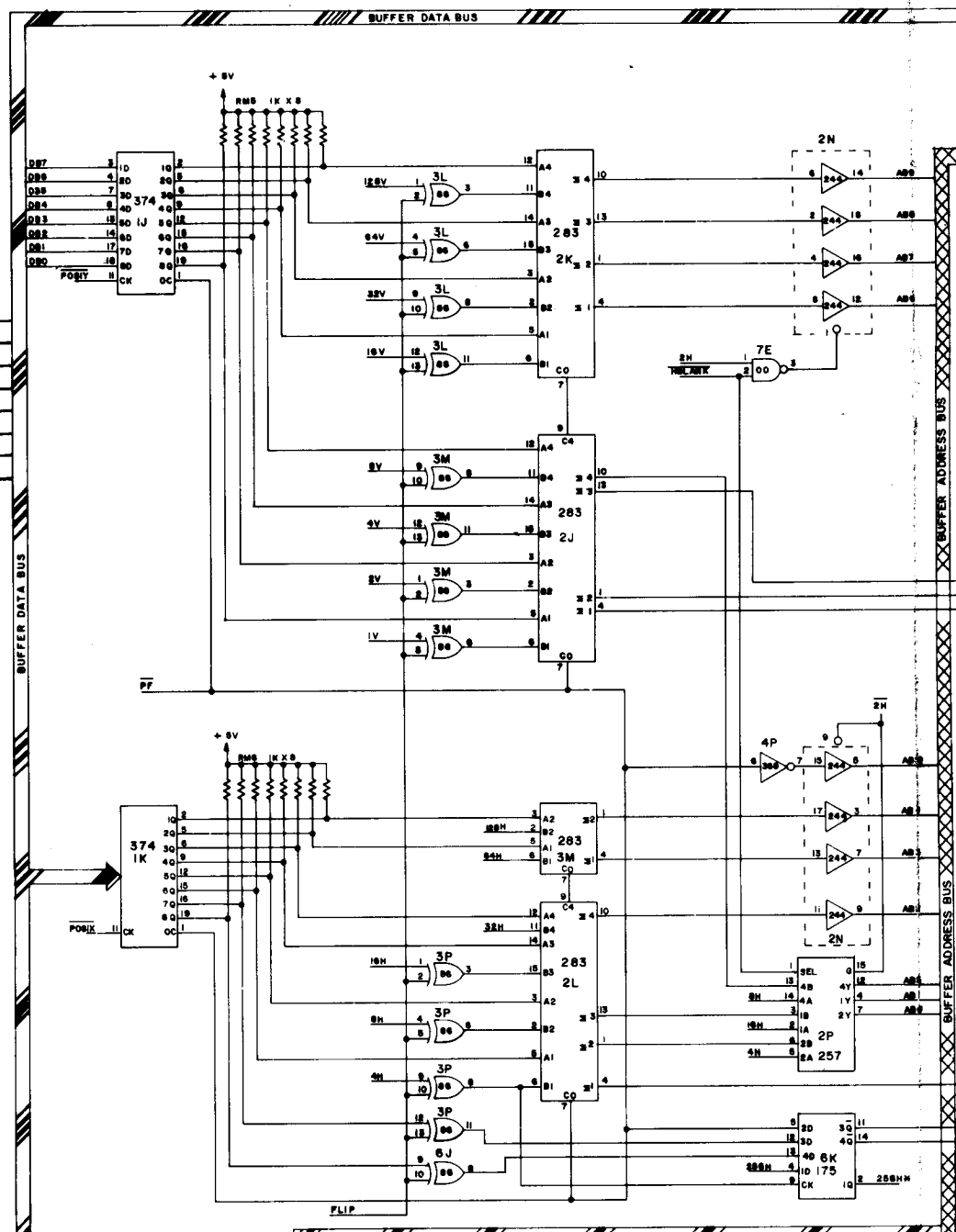
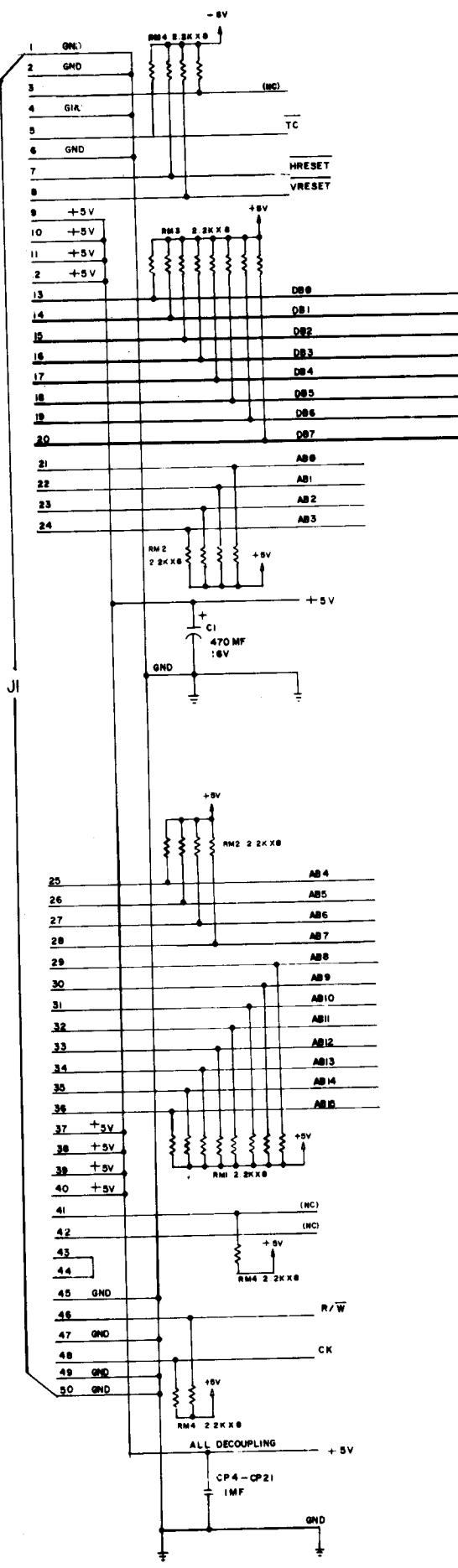
DESCRIPTION	QUAN.	DESIGNATION	PART NO.
PHAN.RAM A OPTIONS	1		0550-00803-6000
* RAM KIT A OPTIONS I	1	IC 4J	0550-00803-6200
* " " " " 2	4	" 4D,4E,4F,4H	0550-00803-6300
PHAN.RAM B OPTIONS	1		0550-00803-6100
** RAM KIT B OPTIONS I	1	IC 2B	0550-00803-6400
** " " " " 2	2	" 3A,3B	0550-00803-6500
16 PIN SOCKET	5	ICS-2D,2R,4M,6B,7H	0508-00804-0700
18 PIN "	2	" 4K,4N	0508-00804-0600
20PIN "	1	" 5A	0550-00804-2300
24PIN "	8	" 1E,1H,5B,5D,5E,5L	0508-00804-0500
		" 5M,5N	
28 PIN "	3	" 1M,1N,1R	0508-00804-0400
42 PIN "	1	" 5R	0508-00804-1900
6 PIN MNL CONN.	1	J2	0017-00021-0424
50 PIN RT. ANGLE CONN.	1	J1	0508-00804-0800
DUAL LOCKING SPACERS	4	PCMHI-PCMH4	0017-00042-0253
CABLE ASSY.	1		0508-00804-2200
50-PIN PLUG-SOCKET CONNECTOR	2	P1,P2	0508-00804-0900
RIBBON CABLE - .33FT	1	CABLE	0017-00033-0348
50-CONDUCTOR 28 GA. STRND AND CONDUCTOR			
BOSCONIAN P.C.B	1		A080-91413-B550
0550-00804-2400			
0550-00804-2100			
0550-00804-2000			
0550-00804-2200			
0550-00802-0400			
0066-010CX-XAPX			
0066-004CX-XAPX			
0066-005CX-XAPX			
0066-006CX-XAPX			
0066-012CX-XAPX			
0066-013CX-XAPX			
0550-00803-3400			
0550-00803-3500			
0550-00803-3600			
0550-00803-3700			
0550-00803-3300			
0550-00803-3800			
0550-00803-3900			
0550-00803-7100			
0550-00803-4000			
0550-00803-7000			
0550-00803-6900			
0550-00803-6800			
0550-00803-4100			
0550-00803-4200			
0550-00803-4300			
0550-00803-4400			
0550-00803-4500			
0550-00803-4600			
0550-00803-4700			
0550-00803-6700			
0550-00803-4800			
0550-00803-5500			
0550-00803-5600			
0550-00803-5700			
0550-00803-5800			
0550-00803-5900			
0550-00803-6600			
0550-00803-4900			
0550-00803-5000			
0550-00803-5100			
0550-00803-5200			
0550-00803-5300			
0550-00803-5400			

PROJECT ENG: J. SEZERSZEN

USED ON BOSCONIAN

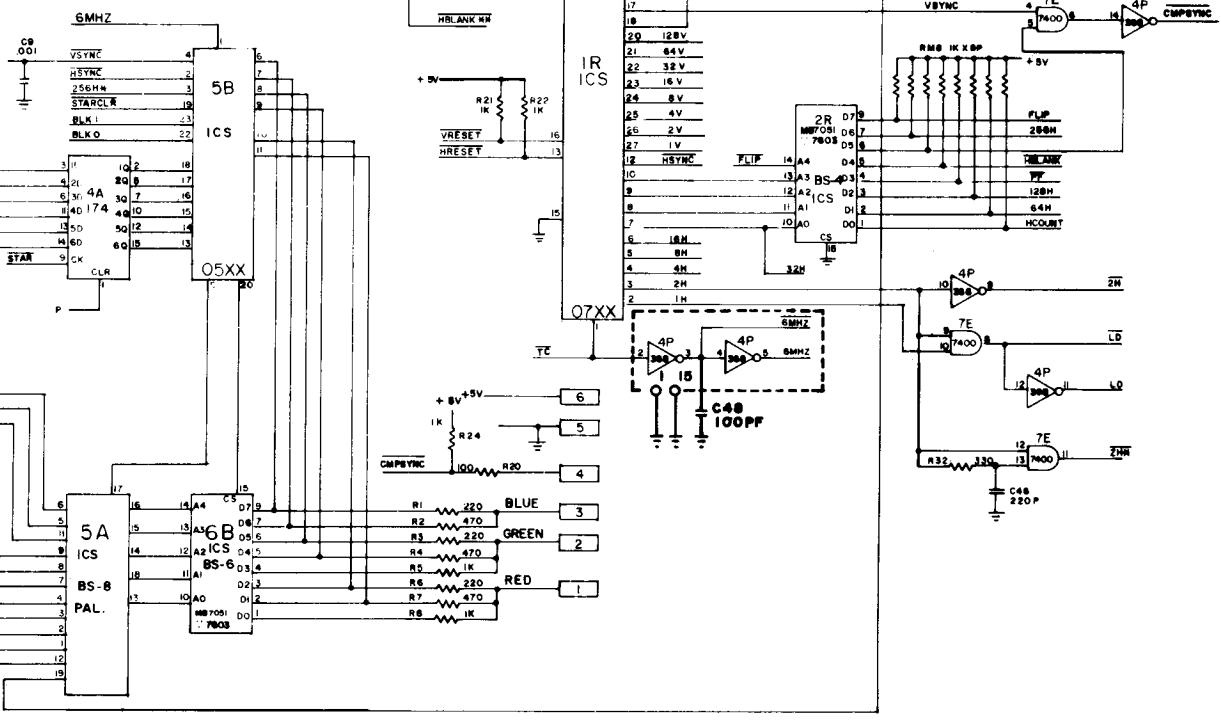
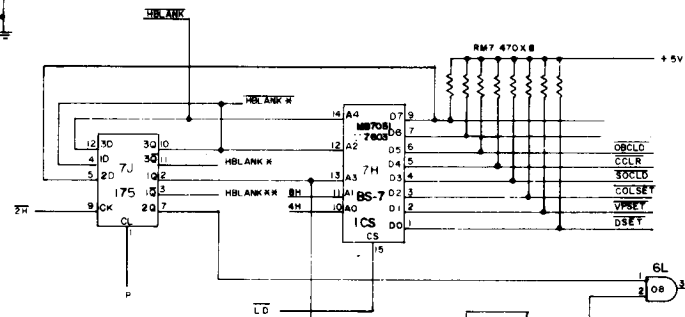
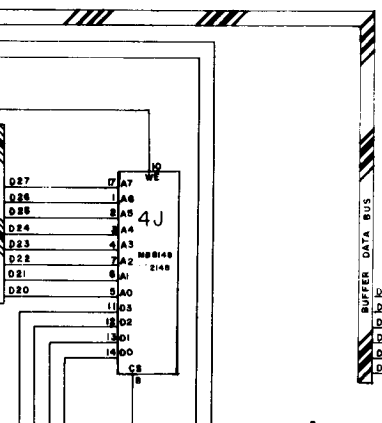
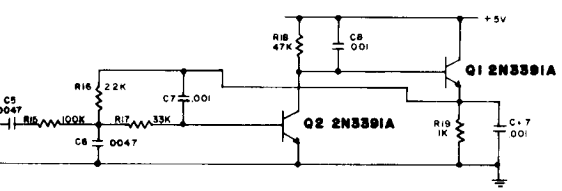
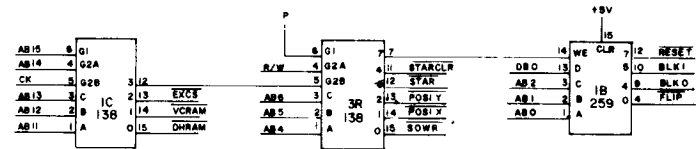
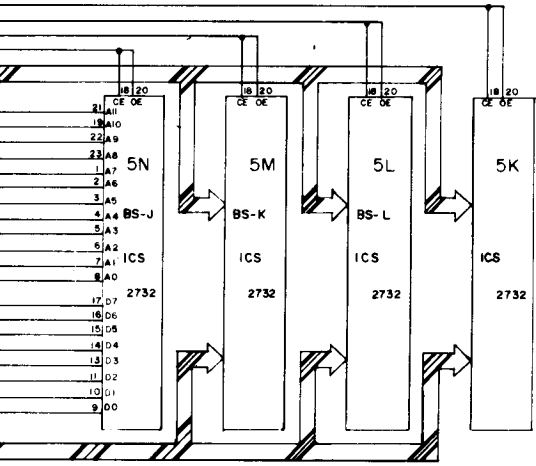
MIDWAY MFG

DO NOT SCALE DWG		HEAT TREAT	SCALE	FULL	NO REQ D	1 PER
DIM TOLERANCES UNLESS SPECIFIED		MAT'L	BOSCONIAN VIDEO		PART NO	
CONDUCTIVITY IN OHMS		FINISH	A084-91413-B550		M051-00550	
EMAL TYPICAL		DATE		ASS'Y DRWNG.		
MATERIAL		2/9/82				



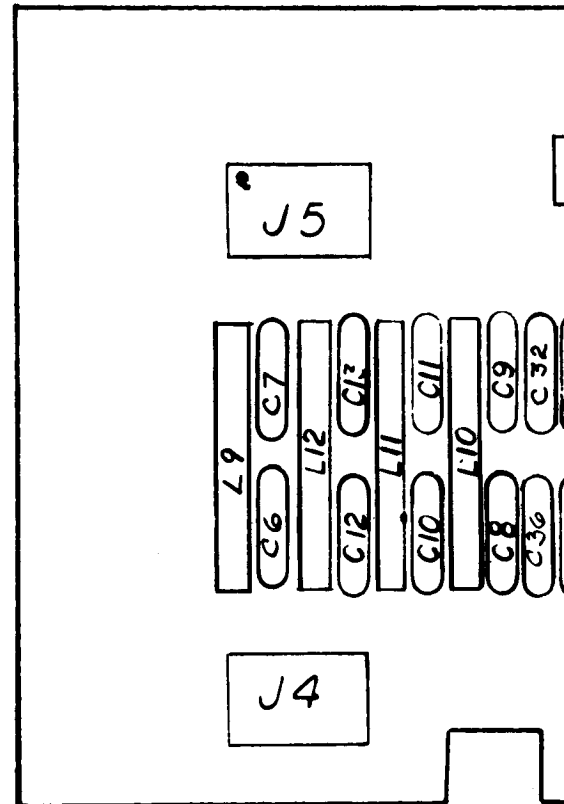






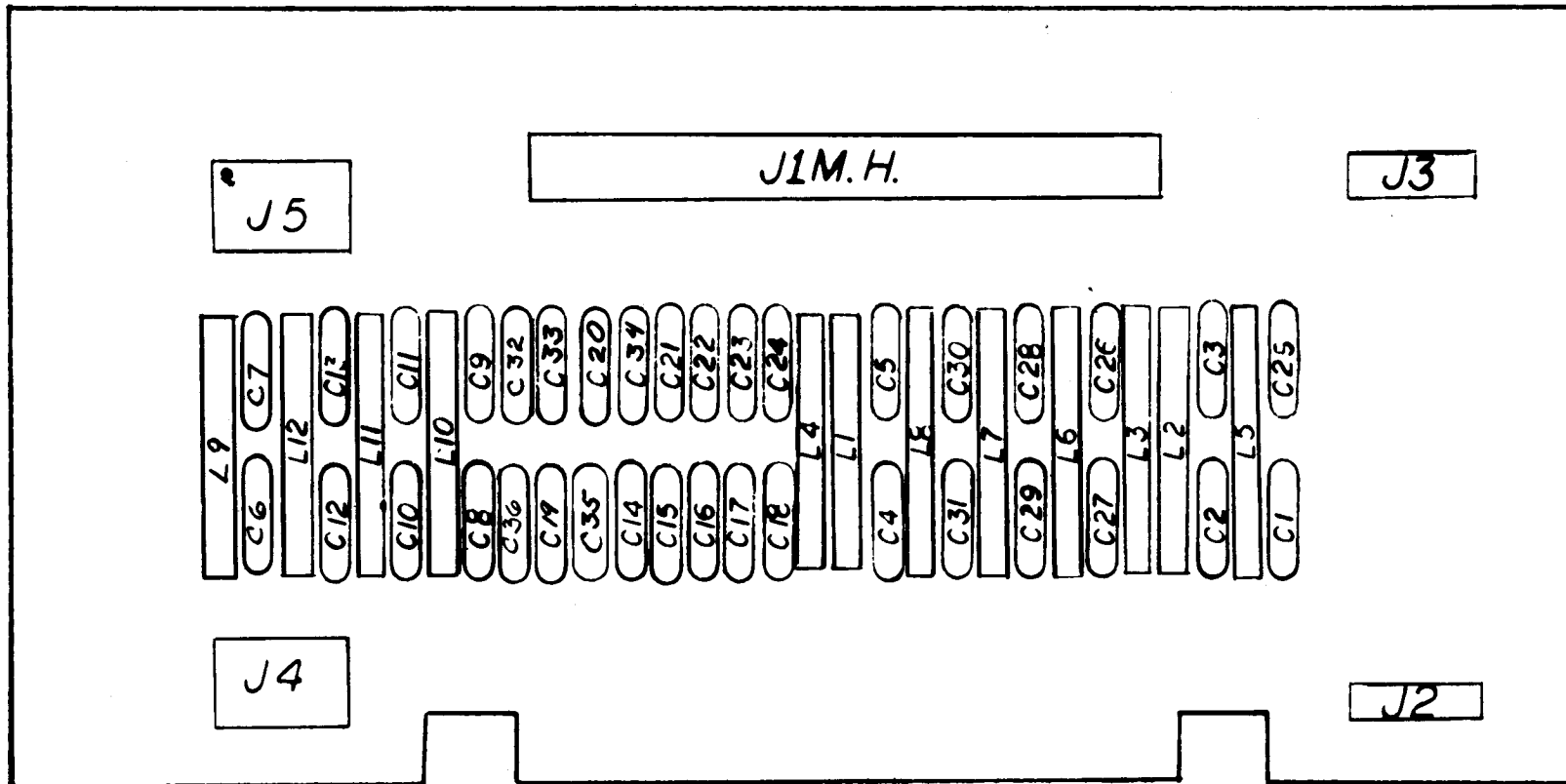
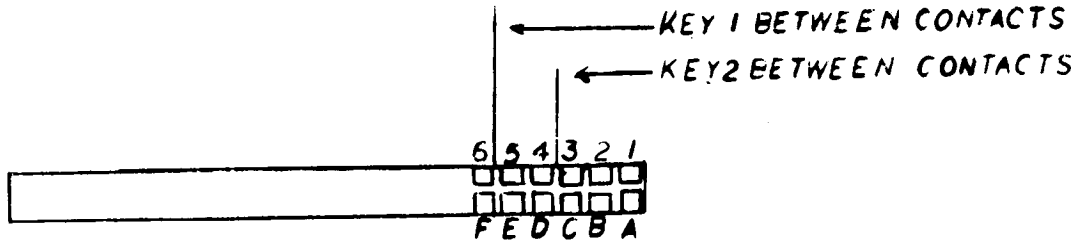


<u>DESIGNATION</u>	<u>DESCRIPTION</u>
C1	.1MF AX CER
C2-C5	47 PF AX CER
C6, C7	470PF AX CER
C8-C13	100PF AX CER
C14-C36	.01 MF AX CER
L1-L4	CHOKE 10JH W.W. MILLER
L5-L8	CHOKE 10JH W.W.
L9-L12	CHOKE ENCAP 10 JH
J1	P.C. EDGE CONN
J2, J3	3 PIN HEADER
J4, J5	6 PIN HEADER
J1 M.H.	2 EDGE CONN. KEY
	(2) 6-32x10 SLOT PAN SCREW
	(2) WSH 6 145-.250-.032
	(1) BRKT.-CONN. FIN.



<u>DESCRIPTION</u>	<u>QUANTITY</u>	<u>DESIGNATION</u>	<u>PHANTOM NUMBER</u>
47 PF 50V AX CER	4	C2-C5	0550-00800-0500
100PF 50V AX CER	6	C8-C13.	0550-00800-0100
470PF 50V AX CER	2	C6, C7	0550-00800-0200
.01MF 50V AX CER	23	C14-C36	0550-00800-0300
.1MF 50V AX CER	1	C1	0550-00800-0400
10JH W.W. RF CHOKE MILLER	4	L1-L4	0067-021XX-XXAX
10JH W.W. RF CHOKE	4	L5-L8	0550-00804-0100
10JH ENCAP RF CHOKE	4	L9-L12	0550-00804-0200
PC EDGE CONN	1	J1	C017-00021-0418

PLEASE DESTROY ALL PRINTS DATED  
PRIOR TO 1-4-82



NUMBER  
-0500  
0100  
0200  
0300  
-0400  
XXAX  
0100  
0200  
0418

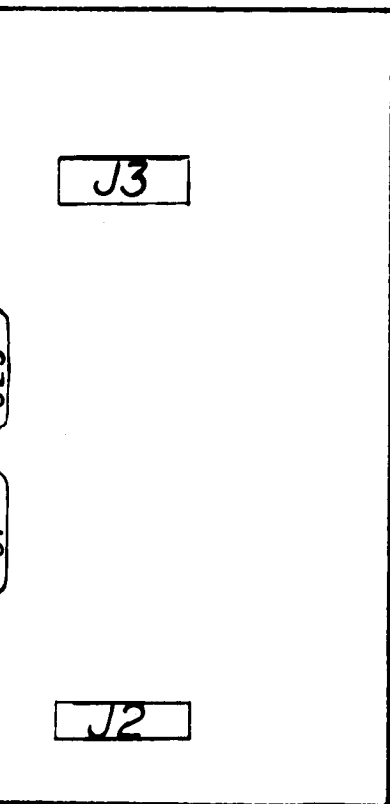
DESCRIPTION QU  
3 PIN HEADER  
AMP 350429-1  
6 PIN HEADER  
AMP 350431-1  
PC EDGE CON KEY  
6-32x10 SLOT  
PAN SCREW  
WSH 6  
145-, 250-.032  
BRKT-  
CONN.FIN

PROJECT ENGINEER L. LEKKER

DATED

DIM. TOLERANCES UNLESS OTHERWISE SPEC. CONCENTRICITY T.I.R. ... 002 FRACTIONAL ..... ± 1/64 DECIMAL ..... ± .005 HOLE DIA. .... + .002 - .000 ANGLE ..... ± 1/2° DO NOT SCALE DWG		FIRST USED ON DRN MECH CHK ELEG CHK	DATE 1-4-82 MATT FINISH
		LKS	

BETWEEN CONTACTS 5, E AND 6, F  
 BETWEEN CONTACTS 3, C AND 4, D



<u>DESCRIPTION</u>	<u>QUANTITY</u>	<u>DESIGNATION</u>	<u>PHANTOM NUMBER</u>
PIN HEADER MP 350429-1	2	J2-J3	0017-00021-0443
PIN HEADER MP 350431-1	2	J4-J5	0017-0021-0424
EDGECON KEY	2	JIMH	0017-00021-0396
32x10 SLOT N SCREW	2	JIMH	0017-00101-0574
SH 6 5-, 250-.032	2	JIMH	0017-00104-0002
PKT- NN.FIN	1	JIMH	0866-00116-00XF

KER

THIS DWG. IS CONFIDENTIAL & PROPERTY OF MIDWAY MFG. CO.

DATE 1-4-82	SCALE FULL
MAT'L	
FINISH	

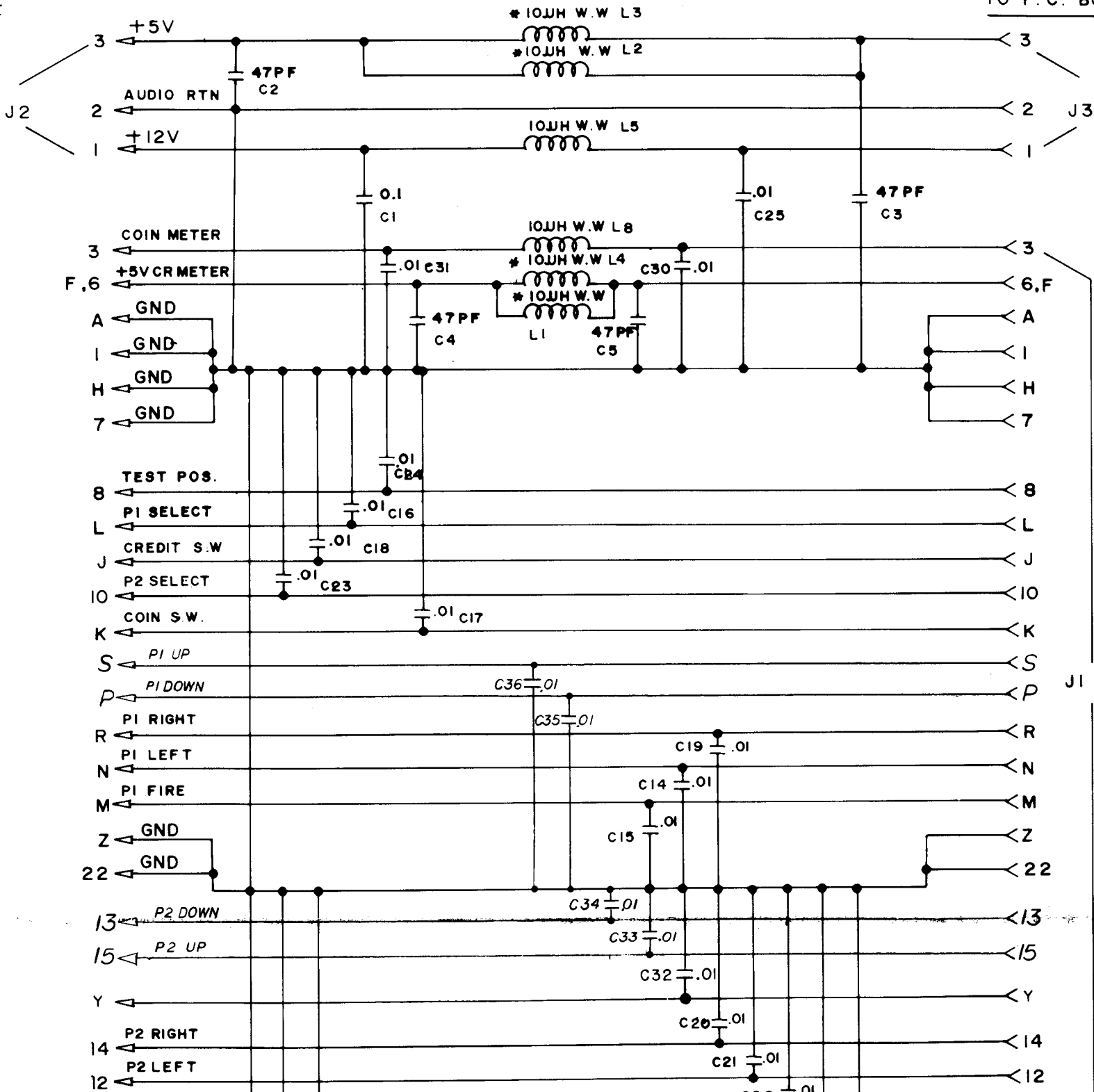
**M** **MIDWAY MFG. CO.**  
 FRANKLIN PK., IL. 60131 A BALLY CO.

BOSCONIAN FILTER P.C.  
 ASSY. DRWG.  
 A084-91414-A550

REVISIONS	
PART NO.	M-0-5-1 - 0-0-5-5 0-A-0-1-4

← TO CABLE

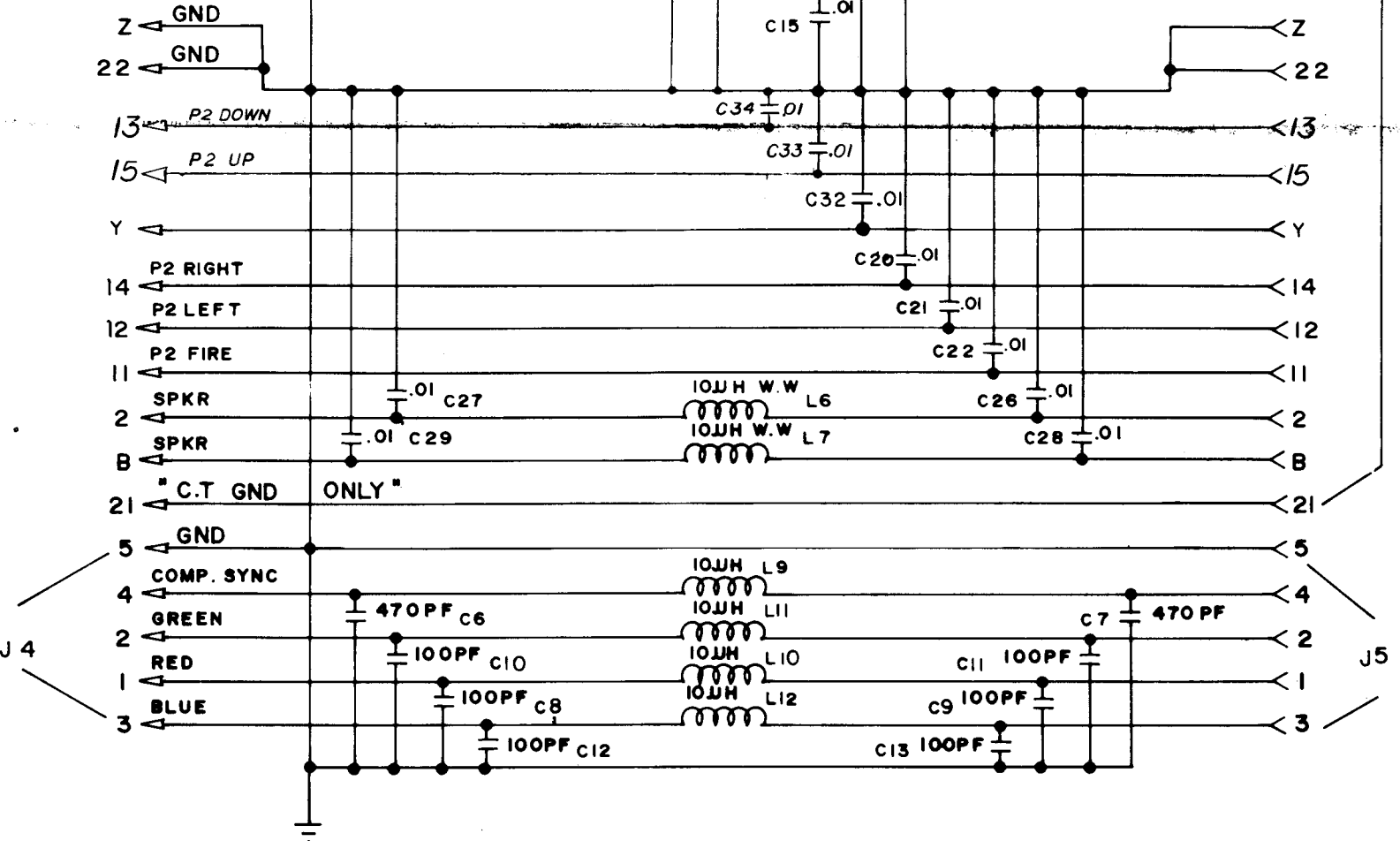
TO P. C. BOARD →



PROJECT ENG: L. DEKKER

DIM TOLERANCES	
UNLESS OTHERWISE SPEC	
CONCENTRICITY	± 0.02
FRACTIONAL	± 0.04
DECIMAL	± 0.05
HOLE DIA	± 0.02
ANGLE	± 1.2°
DO NOT SCALE DWG	

BOU  
*mm*  
*AS*



NOTE:  
 ALL .1 + .01 ARE MF  
 ALL CAPS AX, CER, UNLESS  
 NOTED OTHERWISE  
 \* 1.5 AMP (MILLER TYPE)  
 INDUCTORS

PROJECT ENG: L. DEKKER

THIS DWG. IS CONFIDENTIAL & PROPERTY OF MIDWAY MFG. CO.

DIM. TOLERANCES  
 UNLESS OTHERWISE SPEC.  
 FRACTIONAL .125 .156 .200  
 DECIMAL .002 .005 .010  
 HOLE DIA .002 .005 .010  
 ANGLE .125  
 DO NOT SCALE DWG.

BOSSONIAN  
 FULL  
 12-2-53

MIDWAY MFG. CO.  
 FRANKLIN PARK, ILL. 60131  
 A BALEY CO.

BOSSONIAN  
 FILTER BOARD  
 A084-91-55

PART NO. MOSI-00550-A015  
 REVISIONS